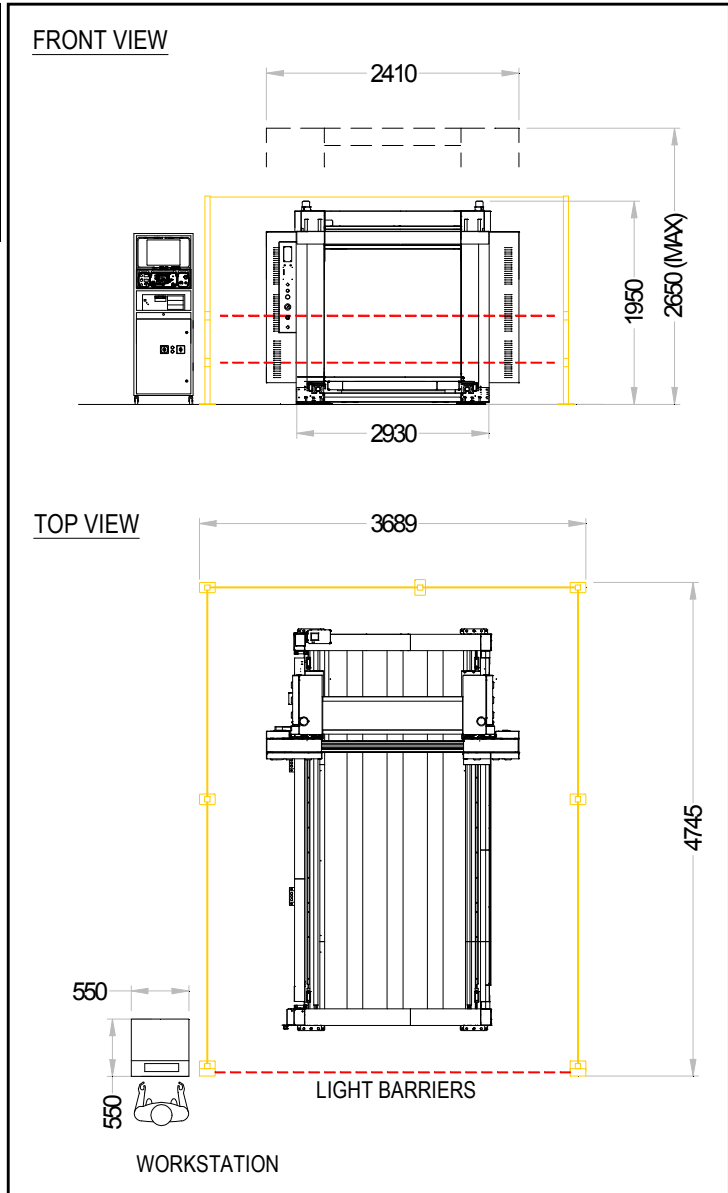


STANDARD MODEL DIMENSIONS			
	MACHINE		BLOCK (standard)
	OVERALL	W/ CE SAFETY CAGES	MAX
WIDTH (mm)	2410	3689	1200
LENGHT (mm)	3860	4745	2300
MAX HEIGHT (mm)	2650	=	1000

CONNECTIONS	
ELECTRICAL REQUIREMENTS	Power supply: 220 V @ 50 Hz
	Peak power: < 4 kW
COMPRESSED AIR REQUIREMENTS	Pressure: 7 Bar



RESHAPING THE WORLD OF CUTTING  
PASSIONE PER LA PERFORMANCE TECNOLOGICA

**RAM ELETTRONICA S.p.A.**  
Via della Meccanica 9/11  
41018 San Cesario s/P (Mo)  
Italy

Phone: +39 059 928900 - Fax: +39 059 922156  
WWW.RAMCUTTING.COM - INFO@RAMELETTRONICA.COM